

APPLICATION:

PRODUCT NAME:
SINGLE DECK FAUCET WITH SWIVEL GOOSENECK SPOUT

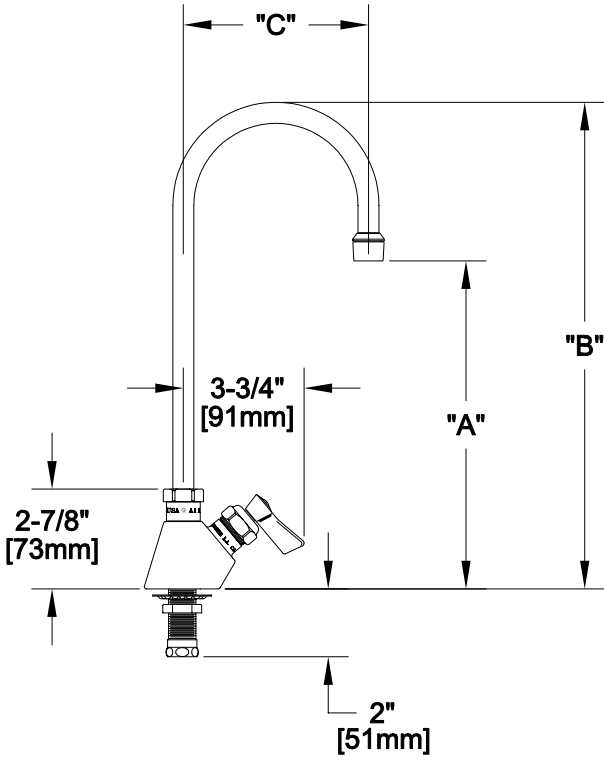
JOB NAME:

_____ SPECIAL CONFIGURATION
CHECK BASE MODEL AND OPTIONS

QUANTITY:

ITEM NO.

MODEL:
 3015 WITH 12" SWIVEL GOOSENECK SPOUT
 1856 WITH 6" SWIVEL GOOSENECK SPOUT



OPTIONS OR MODIFICATIONS:
 SUPPLY LINES (24" OR 36") CIRCLE LENGTH
 VANDAL RESISTANT KIT
 HANDLES (CROSS OR WRIST) CIRCLE STYLE
 OTHER _____

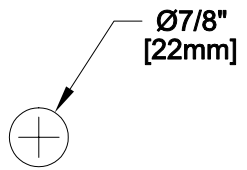
FEATURES
CONTROL VALVE
* SINGLE DECK MOUNT
* SWIVELLING SEAT DISK
* STEM - LEFT HAND
* STAINLESS STEEL SEAT
* STAINLESS STEEL SEAT SCREW
* STAINLESS STEEL HANDLE SCREW
* HOT AND COLD INDEX BUTTONS

SYSTEM LIMITS
* TEMP: 40°F MIN. TO 140°F MAX.
* PRESSURE: 200 PSI MAX. STATIC
* 2.2 GPM AT 60 PSI

SHIPPING WEIGHT
* 3.25 LBS

MODEL	DIM "A"	DIM "B"	DIM "C"
3015	9-1/8" [232mm]	13" [330mm]	5-1/2" [140mm]
1856	5-1/8" [130mm]	8-5/8" [219mm]	3-1/2" [89mm]

ROUGH-IN:



FISHER MANUFACTURING COMPANY
TOLL FREE: 800-421-6162 - FAX: 800-832-8238
information@fisher-mfg.com - www.fisher-mfg.com